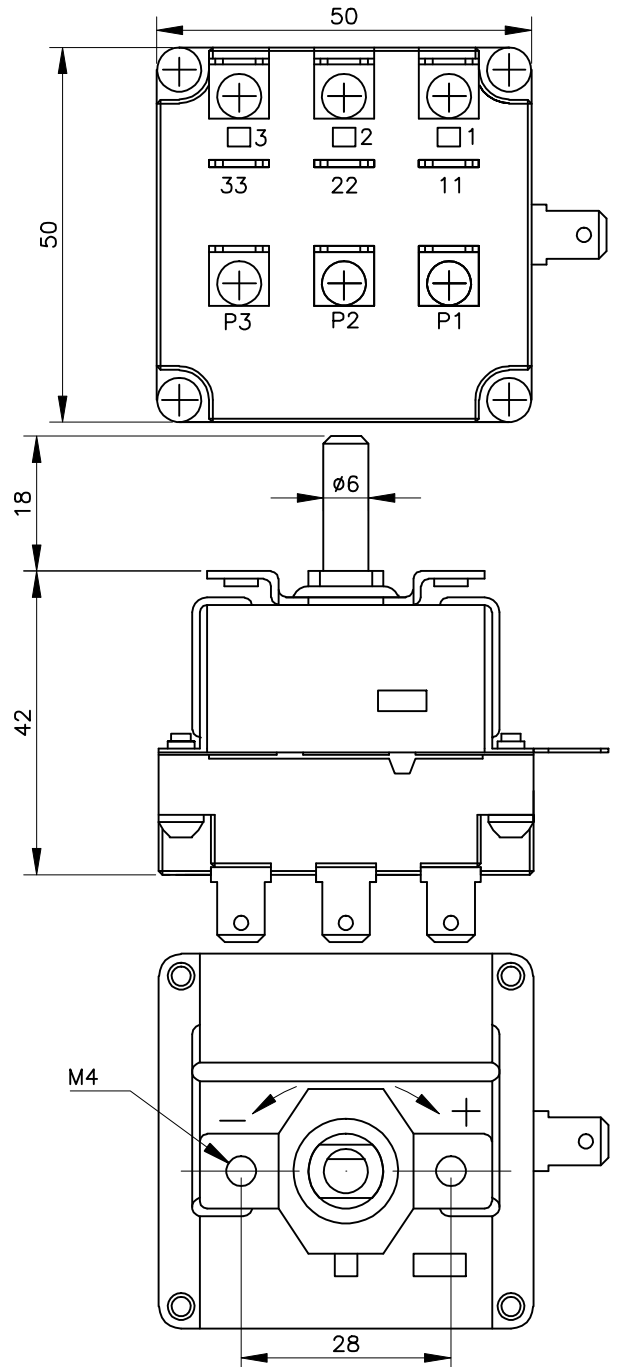
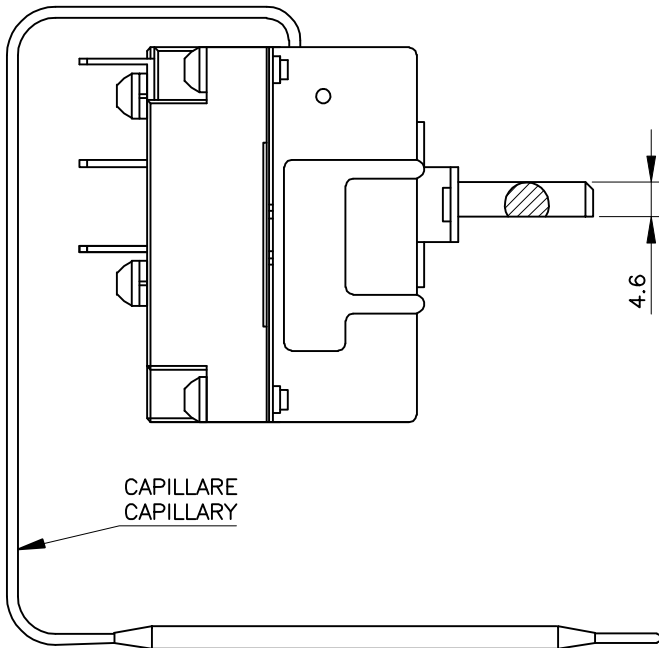
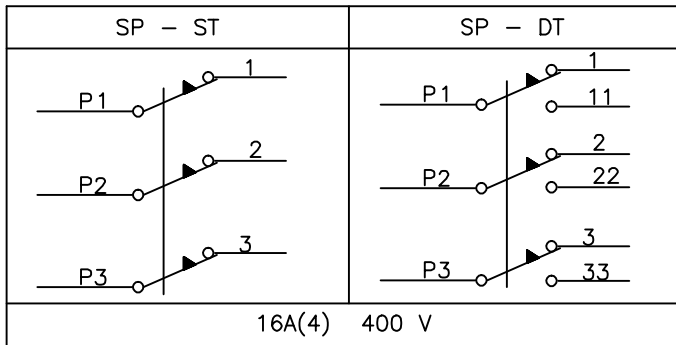


TERMOSTATO MOD. T 3P
THERMOSTAT MOD. T 3P



SCHEMA ELETTRICO
ELECTRICAL DIAGRAM :



TERMINALI FASTON = 6.3 mm
RAGGIO DI CURVATURA CAP. MINIMO = 5 mm
TEMPERATURE DA 0°C A 400°C

CONNECTION TABS 1/4"
MIN CAPILLARY BENDING RADIUS 5mm
TEMPERATURE RANGE : FROM 0°C TO 400°C

SCALA TEMPERATURE RANGE	DIAMETRO BULBO BULB DIAMETER	LUNGHEZZA BULBO BULB LENGTH	LUNGHEZZA CAPILLARE CAPILLARY LENGTH	MATERIALE MATERIAL	
x 50°C-400°C y	3	180	1000	INOX/STAINLESS STEEL	
	3	158	1000	INOX/STAINLESS STEEL	
x 50°C-300°C y	5	105	1000	INOX/STAINLESS STEEL	
	5	116	1000	RAME/COPPER	
x 50°C-200°C y	5	104	1000	INOX/STAINLESS STEEL	
x 30°C-90°C y	6	150	1000	RAME/COPPER	
x 30°C-110°C y	6	114	1000	RAME/COPPER	
0°C-40°C	5	203	1000	INOX/STAINLESS STEEL	
	6	160	1000	RAME/COPPER	